

imanpack

PACKAGING & ECO SOLUTIONS

MCWS

Piece counting/weighing machine

Piece counting/weighing machine particularly indicated for weighing medium size hardware such as nails, screws, nuts, bolts, plastic, aluminium casts and miscellaneous small parts. The micro-processor constantly monitors the weighing system to guarantee the set dose at maximum speed.



Weighing range
From 100 g to 7 kg

Product range
Medium-size hardware

Maximum product length
100 mm

Speed
Up to 15 cycles/min

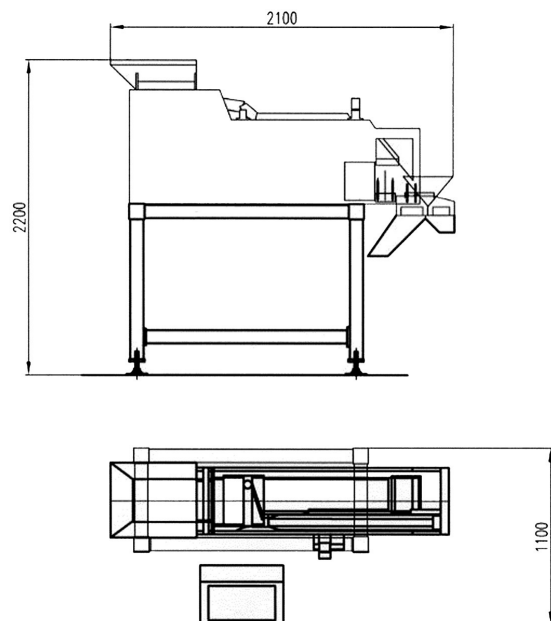
Weighing basket sensitivity
0.2 gr





TECHNICAL FEATURES

- Bearing structure in painted steel with sliding chutes in Fe coated in high-density polyethylene. Stainless steel AISI 304 sliding chutes are available on request.
- Load hopper capacity of about 40 litres.
- Pre-feeder vibrating chute controlled by a tilting device or photocell.
- Intermediate vibrating chute designed to ensure consistent feeding to the roughing chute.
- Roughing vibrating chute with pneumatic controlled closure curtain.
- Finishing vibrating chute with pneumatic controlled closure curtain.
- 30 litre weighing basket with pneumatic opening.
- Weighing head with mechanically protected load cell.
- Possibility of memorising different programmes to suit various products.
- Possibility of linking it to other machines (bags, sacks, boxes, KLT).
- Machine built according to CE Standards.



layout

imanpack

PACKAGING & ECO SOLUTIONS

Via Lago di Bolsena, 19 36015 Schio (VI) ITALY
Tel. +39.0445.578.811 Fax+39.0445.575.111
www.imanpack.it email: info@imanpack.it